



enzie Space Saving Stairs Pty. Ltd.
 287 Arthur Street
 Fairfield, Victoria
 Australia, 3078
 Ph. +61 3 9481 2255
 Fax +61 3 9481 8919
 ACN: 126 708 118
 www.enzie.com.au

STANDARD SPECIFICATIONS

CONSTRUCTION

The stair is spiral with treads which are made from 100mm x 5 mm Mild Steel frame with a 3 mm Mild Steel tread. Column is 4.9 mm thick by 101.2 mm diameter mild steel. The handrail is tubular 32 mm OD by 1.6 mm mild steel and balusters are 22 mm OD by 1.6 mm steel. The stair structure is mechanically jointed on site, requiring no site welding or finishing. The maximum length of any component is slightly more than one meter, and weight is less than 20 kg. The stair can be assembled in a clockwise or an anticlockwise direction. The stair base-plate fits on top of the floor surface before or after floor coverings. The pre-finished stair, when erected, is complete; no further finishing is required by others; no unsightly welds, nuts or bolts are showing.

SURFACE TREATMENT

Internal stairs are supplied pre-finished in a high quality baked polyester powder coating. A range of 21 decorator colours is offered for customer selection with custom colours also available. The handrail, in addition to finishes above, is available in stainless steel. External stairs are supplied Hot Dip galvanized and can be primed with zinc rich epoxy before being finished in baked polyester powder-coating.

INSTALLATION

Mechanical jointing and factory pre-finishing of the stair allows installation after all other trades, including floor coverings, have been completed in the stairwell and adjoining area. Installation can be carried out by a local contractor or handyman to installation instructions supplied with stair kit. The stair kit includes all nuts, bolts, installation accessories and an installation instructional DVD.

SAFETY

The stair complies with the BCA. The synthetic rubber anti-skid pad, applied to the top of stair treads ensures safe access. Handrail balusters on the staircase are spaced as standard at a maximum of 125 mm, and on the balcony balustrade are spaced at a maximum of 124 mm. Optional extra gate can be supplied for the top or the bottom of the staircase.

DETAILS OF enzie 1300mm DIAMETER SPIRAL STAIR

GEOMETRY OF STAIRS

Stair is made with risers between 208 and 220 mm 12 steps to circle at 30°. The going measured at 7/10ths. of the clear width is 216mm and slope relationship is between 590 to 680.

TREADS AND RISES

Treads are uniform shape and size. Risers are of uniform height between 208 mm and 220 mm as required by client's application. Anti-skid pad for each tread is supplied. This pad is replaceable if wear should occur.

HEAD ROOM

Using standard 90 degree landing 120 mm thick with 180 mm riser clear headroom is 2030 mm. Every 1 mm added to riser adds 12 mm to headroom.

HANDRAIL

Continuous and uninterrupted handrail is provided on one side and is at a vertical height of 866 mm minimum above the nosing of the tread. Balcony railing is 1000 mm above the floor.

WIDTH

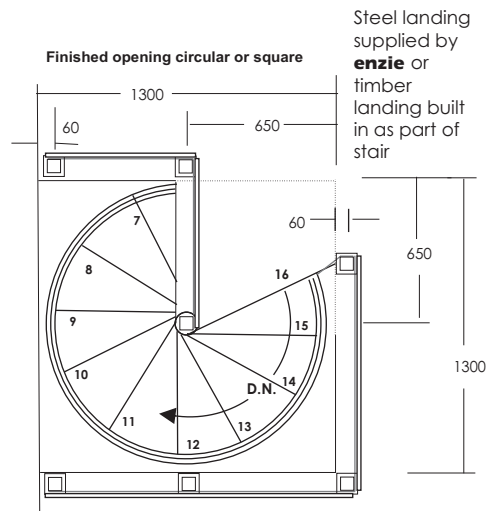
The width of stair free of obstruction is 524mm

BUILDING APPROVALS

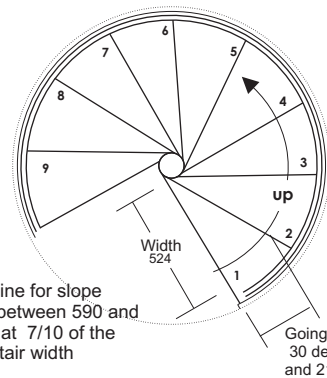
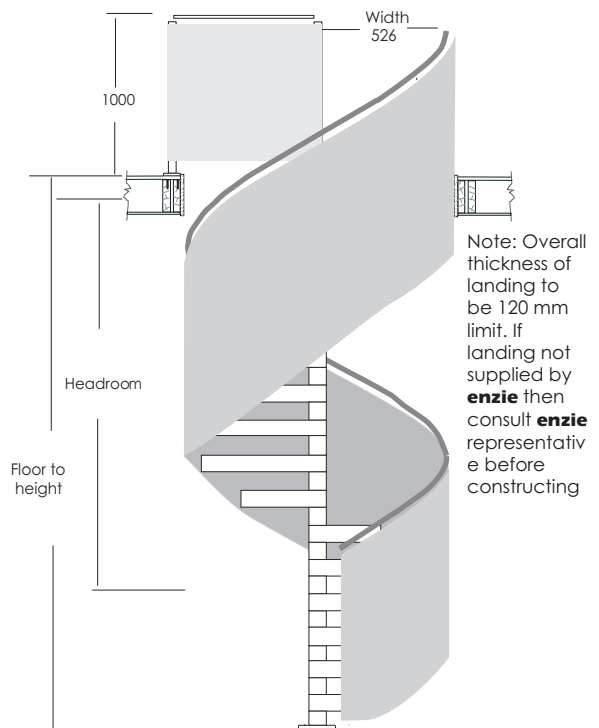
Procedure for building approval is to include a copy of this Data Sheet and Accreditation Certificate for the system with drawings showing location of proposed installation (with your required documentation) to the local building authority for their approval. Computations available on request for submission to Building Authority.

PACKED WEIGHT

Approximately 17 kg per riser.



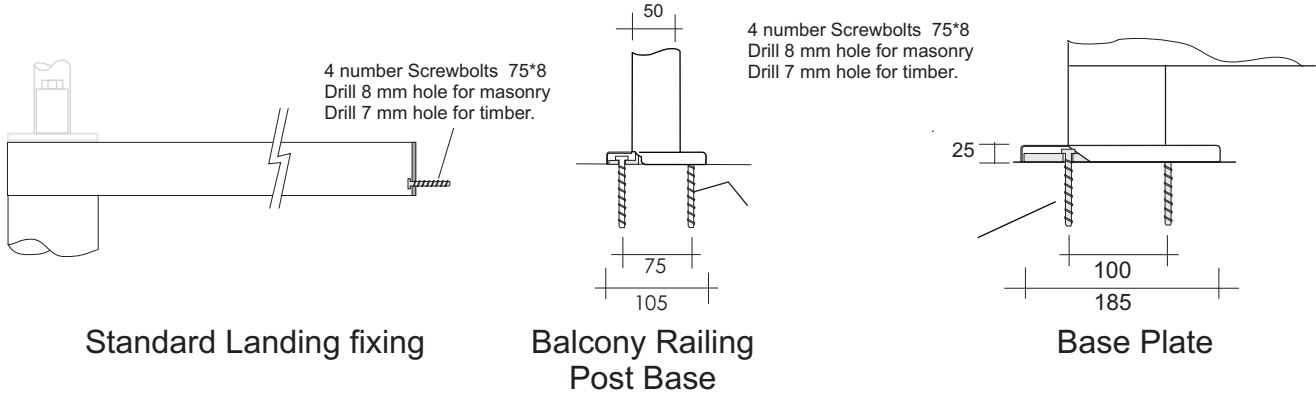
Standard stairwell and Balcony rails



Measurement line for slope relationship is between 590 and 680 measured at 7/10 of the unobstructed stair width
 Going 30 degrees and 216mm



FIXING DETAILS

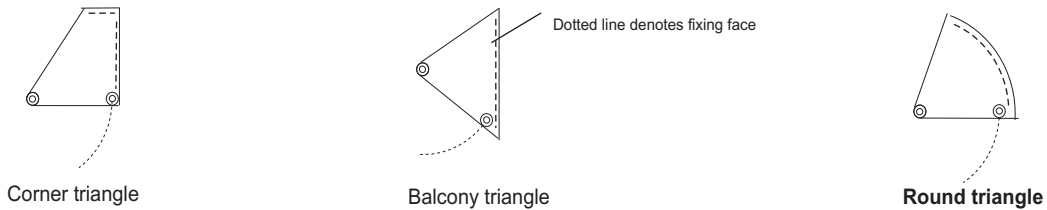


SETTING OUT EXAMPLES

1300 Diameter 208 mm to 220 mm Riser 12 Treads to circle at 30 Degrees

Floor to Floor Height	2640	2860	3080	3300	3520	3740	3960	4180	4400	4620	4840
Number of risers	12	13	14	15	16	17	18	19	20	21	22
Number of treads	11	12	13	14	15	16	17	18	19	20	21
Going	330	360	390	420	450	480	510	540	570	600	630
12 Steps to circle at 30 Degrees											

Some typical top landing examples



PHOTOS



DATA SHEET enzie UNI ENCLOSE 1300/12 SPIRAL STAIR



enzie Space Saving Stairs Pty. Ltd.
 287 Arthur Street
 Fairfield, Victoria
 Australia, 3078
 Ph. +61 3 9481 2255
 Fax +61 3 9481 8919
 ACN: 126 708 118
 www.enzie.com.au

STANDARD SPECIFICATIONS

CONSTRUCTION

The stair is spiral with treads which are made from 100 mm x 5 mm Mild Steel frame with a 3 mm Mild Steel tread. Column is 4.9 mm thick by 101.2 mm diameter mild steel. The handrail is tubular 32 mm OD by 1.6 mm mild steel and balusters are 22 mm OD by 1.6 mm steel. The stair structure is mechanically jointed on site, requiring no site welding or finishing. The maximum length of any component is slightly more than one metre, and weight is less than 20 kg. The stair can be assembled in a clockwise or an anticlockwise direction. The stair base-plate fits on top of the floor surface before or after floor coverings. The pre-finished stair, when erected, is complete; no further finishing is required by others; no unsightly welds, nuts or bolts are showing.

SURFACE TREATMENT

Internal stairs are supplied pre-finished in a high quality baked polyester powder coating. A range of 21 decorator colours is offered for customer selection with custom colours also available. The handrail, in addition to finishes above, is available in stainless steel. External stairs are supplied Hot Dip galvanized and can be primed with zinc rich epoxy before being finished in baked polyester powder-coating.

INSTALLATION

Mechanical jointing and factory pre-finishing of the stair allows installation after all other trades, including floor coverings, have been completed in the stairwell and adjoining area. Installation can be carried out by a local contractor or handyman to installation instructions supplied with stair kit. The stair kit includes all nuts, bolts, installation accessories and an installation instructional DVD.

SAFETY

The stair complies with the BCA. The synthetic rubber anti-skid pad, applied to the top of stair treads ensures safe access. Handrail balusters on the staircase are spaced as standard at a maximum of 125 mm, and on the balcony balustrade are spaced at a maximum of 124 mm. Optional extra gate can be supplied for the top or the bottom of the staircase.

DETAILS OF enzie 1500mm DIAMETER SPIRAL STAIR

GEOMETRY OF STAIRS

Stair is made with risers between 208 and 220 mm 14 steps to circle at 25.7 degrees. The going measured at 7/10ths. of the clear width is 217 mm and slope relationship is between 590 to 680

TREADS AND RISES

Treads are uniform shape and size. Risers are of uniform height between 208 mm and 220 mm as required by client's application. Anti-skid pad for each tread is supplied. This pad is replaceable if wear should occur.

HEAD ROOM

Using standard 90 degree landing 120 mm thick with 180 mm riser clear headroom is 2030 mm. Every 1 mm added to riser adds 12 mm to headroom.

HANDRAIL

Continuous and uninterrupted handrail is provided on one side and is at a vertical height of 866 mm minimum above the nosing of the tread. Balcony railing is 1000 mm above the floor.

WIDTH

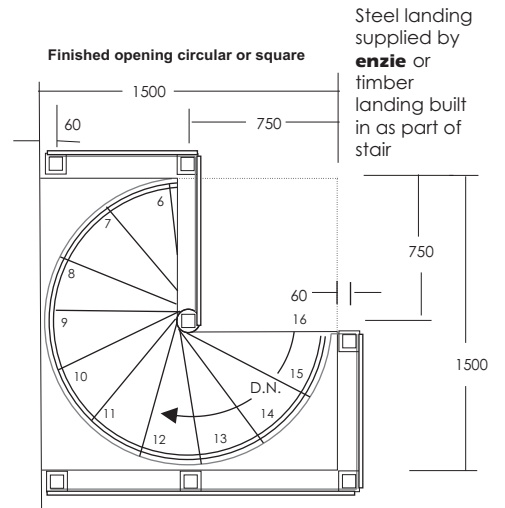
The width of stair free of obstruction is 624mm

BUILDING APPROVALS

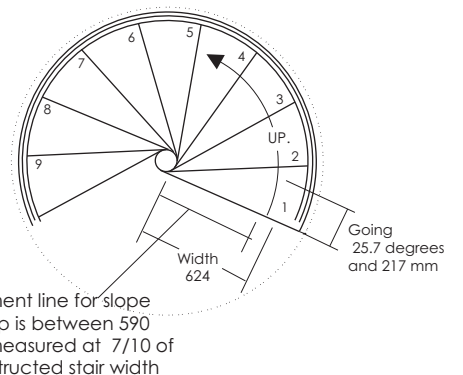
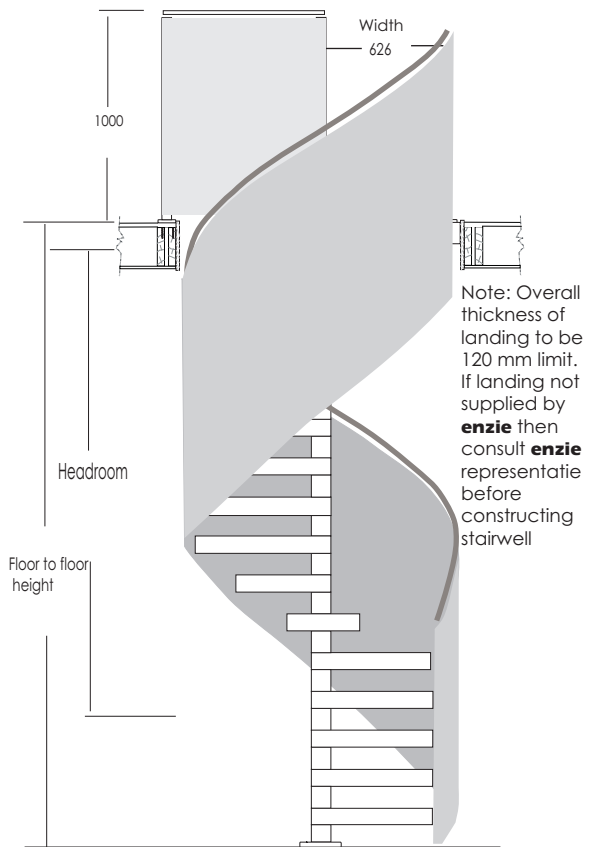
Procedure for building approval is to include a copy of this Data Sheet and Accreditation Certificate for the system with drawings showing location of proposed installation (with your required documentation) to the local building authority for their approval. Computations available on request for submission to Building Authority.

PACKED WEIGHT

Approximately 20 kg per riser.



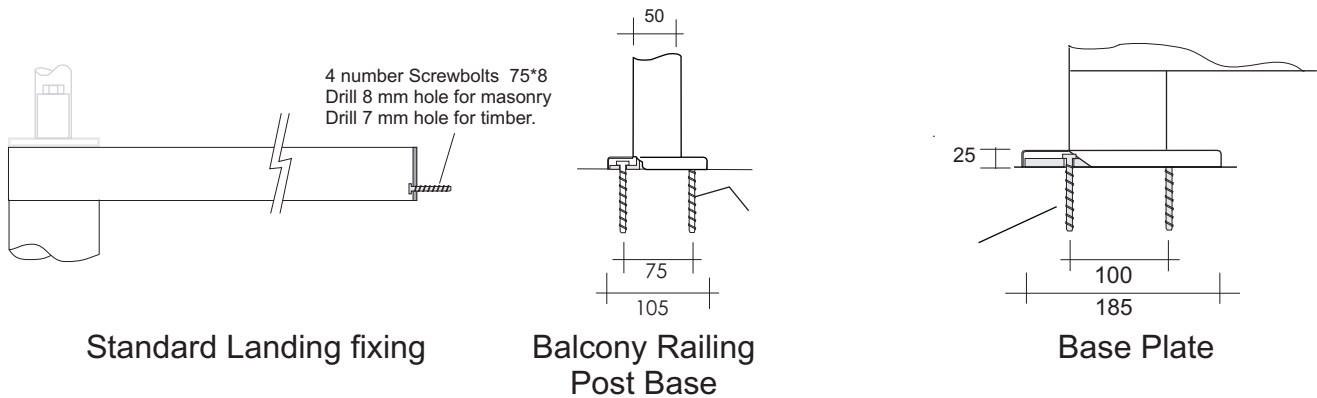
Standard stairwell and Balcony rails



DATA SHEET enzie UNI ENCLOSE 1500/14 SPIRAL STAIR



FIXING DETAILS

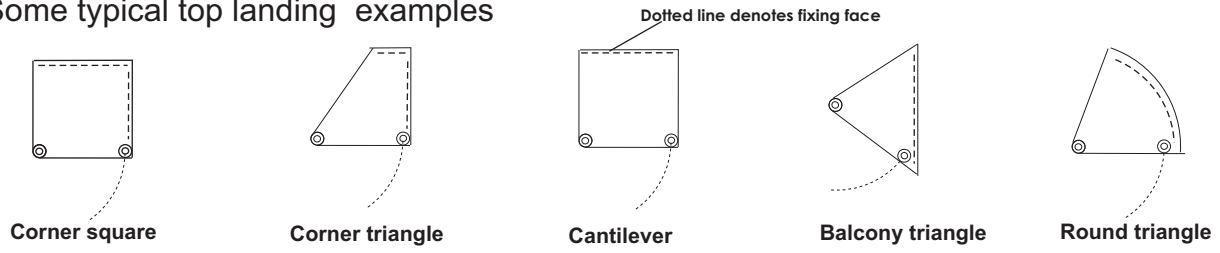


SETTING OUT EXAMPLES

1500 Diameter 208 mm to 220 mm Riser 14 Treads to circle at 25.7 Degrees

Floor to Floor Height	2640	2860	3080	3300	3520	3740	3960	4180	4400	4620	4840
Number of risers	12	13	14	15	16	17	18	19	20	21	22
Number of treads	11	12	13	14	15	16	17	18	19	20	21
Going	282	308	334	360	385	411	437	463	488	514	540
14 Treads to circle at 25.7 Degrees											

Some typical top landing examples



PHOTOS



DATA SHEET enzie UNI ENCLOSE 1500/14 SPIRAL STAIR



enzie Space Saving Stairs Pty. Ltd.
 287 Arthur Street
 Fairfield, Victoria
 Australia, 3078
 Ph. +61 3 9481 2255
 Fax +61 3 9481 8919
 ACN: 126 708 118
 www.enzie.com.au

**STANDARD SPECIFICATIONS
 CONSTRUCTION**

The stair is spiral with treads which are made from 65mm x 5 mm Mild Steel frame with a 3 mm Mild Steel tread. Column is 4.9 mm thick by 101.2 mm diameter mild steel. The handrail is tubular 32 mm OD by 1.6 mm mild steel and balusters are 22 mm OD by 1.6 mm steel. The stair structure is mechanically jointed on site, requiring no site welding or finishing. The maximum length of any component is slightly more than one metre, and weight is less than 20 kg. The stair can be assembled in a clockwise or an anticlockwise direction. The stair base-plate fits on top of the floor surface before or after floor coverings. The pre-finished stair, when erected, is complete; no further finishing is required by others; no unsightly welds, nuts or bolts are showing.

SURFACE TREATMENT

Internal stairs are supplied pre-finished in a high quality baked polyester powder coating. A range of 21 decorator colours is offered for customer selection with custom colours also available. The handrail, in addition to finishes above, is available in stainless steel. External stairs are supplied Hot Dip galvanized and can be primed with zinc rich epoxy before being finished in baked polyester powder-coating.

INSTALLATION

Mechanical jointing and factory pre-finishing of the stair allows installation after all other trades, including floor coverings, have been completed in the stairwell and adjoining area. Installation can be carried out by a local contractor or handyman to installation instructions supplied with stair kit. The stair kit includes all nuts, bolts, installation accessories and an installation instructional DVD.

SAFETY

The stair complies with the BCA. The synthetic rubber anti-skid pad, applied to the top of stair treads ensures safe access. Handrail balusters on the staircase are spaced as standard at a maximum of 125 mm, and on the balcony balustrade are spaced at a maximum of 124 mm. Optional extra gate can be supplied for the top or the bottom of the staircase.

DETAILS OF enzie 1750mm DIAMETER SPIRAL STAIR

GEOMETRY OF STAIRS

Stair is made with risers between 178 and 190 mm 16 steps to circle at 22.5 degrees. The going measured at 7/10 ths. of the clear width is 224mm and slope relationship is between 590 to 680

TREADS AND RISES

Treads are uniform shape and size. Risers are of uniform height between 178 mm and 190 mm as required by client's application. Anti-skid pad for each tread is supplied. This pad is replaceable if wear should occur.

HEAD ROOM

Using standard 90 degree landing 120 mm thick with 180 mm riser clear headroom is 2030 mm. Every 1 mm added to riser adds 12 mm to headroom.

HANDRAIL

Continuous and uninterrupted handrail is provided on one side and is at a vertical height of 866 mm minimum above the nosing of the tread. Balcony railing is 1000 mm above the floor.

WIDTH

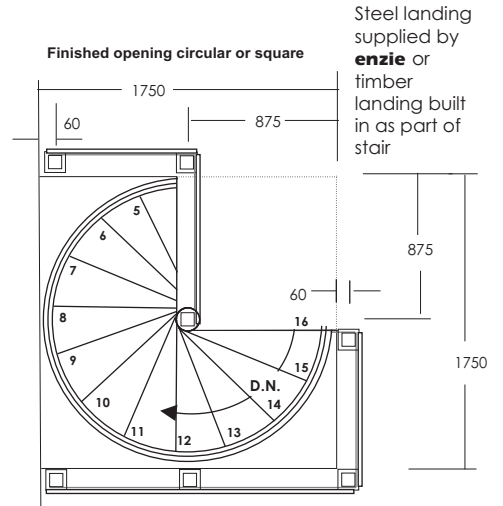
The width of stair free of obstruction is 750 mm

BUILDING APPROVALS

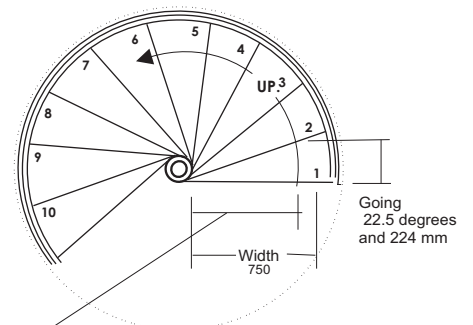
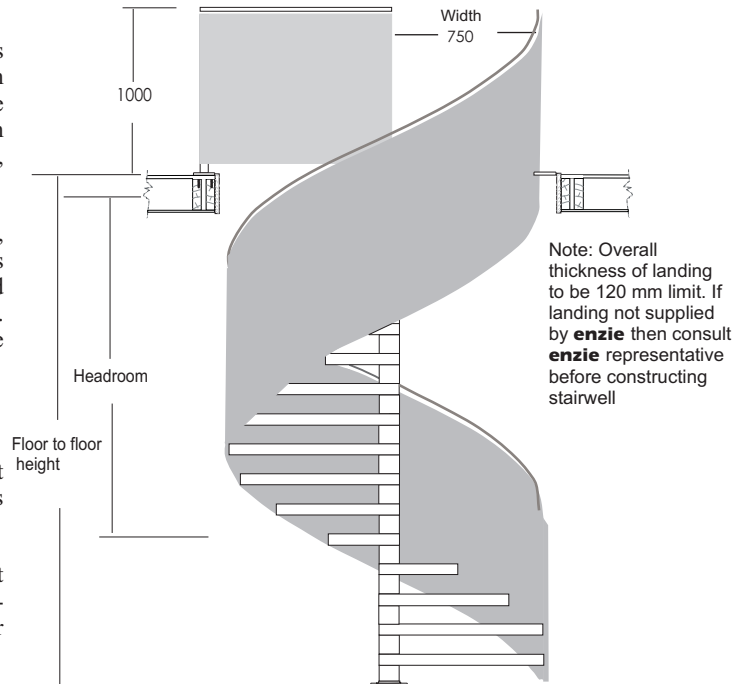
Procedure for building approval is to include a copy of this Data Sheet and Accreditation Certificate for the system with drawings showing location of proposed installation (with your required documentation) to the local building authority for their approval. Computations available on request for submission to Building Authority.

PACKED WEIGHT

Approximately 20 kg per riser.



Standard stairwell and Balcony rails

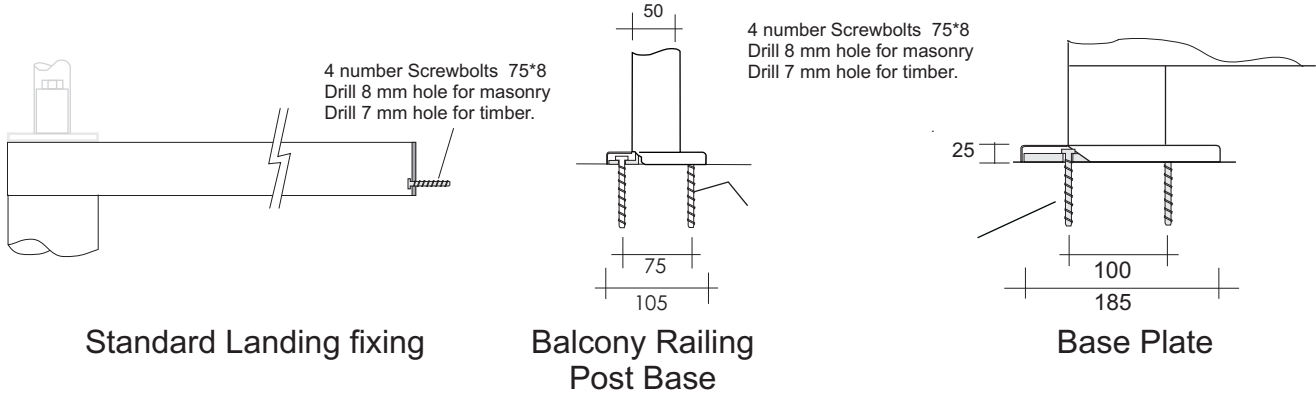


Measurement line for slope relationship is between 690 and 680 measured at 7/10 of the unobstructed stair width

DATA SHEET enzie UNI ENCLOSE 1750/16 SPIRAL STAIR



FIXING DETAILS

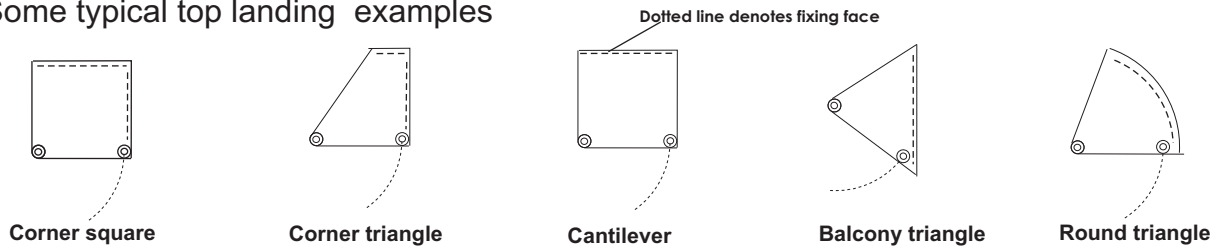


SETTING OUT EXAMPLES

1880 Diameter 178 mm to 190 mm Riser 16 Treads to circle at 22.5 Degrees

Floor to Floor Height (up to)	2280	2470	2660	2850	3040	3230	3420	3610	3800	3990	4180
Number of risers	12	13	14	15	16	17	18	19	20	21	22
Number of treads	11	12	13	14	15	16	17	18	19	20	21
Going	247	270	292	315	337	360	382	405	427	450	472
16 Treads to circle at 22.5 Degrees											

Some typical top landing examples



PHOTOS



DATA SHEET enzie UNI ENCLOSE 1750/16 SPIRAL STAIR



enzie Space Saving Stairs Pty. Ltd.
 287 Arthur Street
 Fairfield, Victoria
 Australia, 3078
 Ph. +61 3 9481 2255
 Fax +61 3 9481 8919
 ACN: 126 708 118
 www.enzie.com.au

STANDARD SPECIFICATIONS CONSTRUCTION

The stair is spiral with treads which are made from 65 mm x 5 mm Mild Steel frame with a 3 mm Mild Steel tread. Column is 4.9 mm thick by 101.2 mm diameter mild steel. The handrail is tubular 19 mm OD by 1.6 mm mild steel and balustrade is 3mm curved Aluminium. The stair structure is mechanically jointed on site, requiring no site welding or finishing. Excluding the Balustrade maximum length of any component is slightly more than one meter, and weight is less than 20 kg. The balustrade panels can be up to 2700 mm in lengths. The stair can be made in a clockwise or an anticlockwise direction. The stair baseplate fits on top of the floor surface before or after floor coverings. The pre-finished stair, when erected, is complete; no further finishing is required by others; no unsightly welds, nuts or bolts are showing.

SURFACE TREATMENT

Internal stairs are supplied pre-finished in a high quality baked polyester powder coating. A range of 21 decorator colours is offered for customer selection with custom colours also available. The handrail, in addition to finishes above, is available in stainless steel and the balustrade is available in Anodised Aluminium. External stairs are supplied Hot Dip galvanized and can be primed with zinc rich epoxy before being finished in baked polyester powder-coating.

INSTALLATION

Mechanical jointing and factory pre-finishing of the stair allows installation after all other trades, including floor coverings, have been completed in the stairwell and adjoining area. Installation can be carried out by a local contractor or handyman to installation instructions supplied with stair kit. The stair kit includes all nuts, bolts, installation accessories and an installation instructional DVD.

SAFETY

The stair complies with the BCA. The synthetic rubber anti-skid pad, applied to the top of stair treads ensures safe access. The curved Aluminium Balustrade provides a safe barrier around the staircase and across the balcony edge.

DETAILS OF enzie 1880m DIAMETER SPIRAL STAIR

GEOMETRY OF STAIRS

Stair is made with risers between 178 and 190 mm 16 steps to circle at 22.5 degrees. The going measured at 7/10 ths. of the clear width is 242 mm and slope relationship is between 590 to 680

TREADS AND RISES

Treads are uniform shape and size. Risers are of uniform height between 178 mm and 190 mm as required by client's application. Anti-skid pad for each tread is supplied. This pad is replaceable if wear should occur.

HEAD ROOM

Using standard 90 degree landing 120 mm thick with 180 mm riser clear headroom is 2030 mm. Every 1 mm added to riser adds 12 mm to headroom.

HANDRAIL

Continuous and uninterrupted handrail is provided on one side and is at a vertical height of 866 mm minimum above the nosing of the tread. Balcony railing is 1000 mm above the floor.

WIDTH

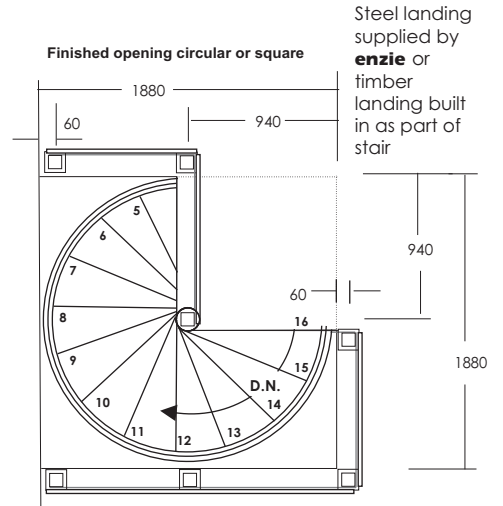
The width of stair free of obstruction is 814mm

BUILDING APPROVALS

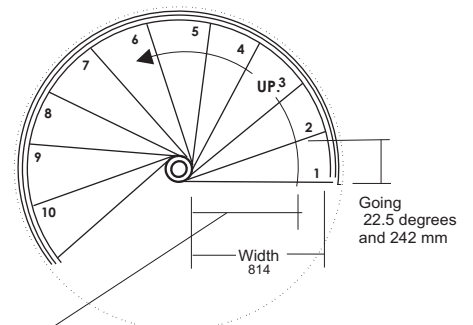
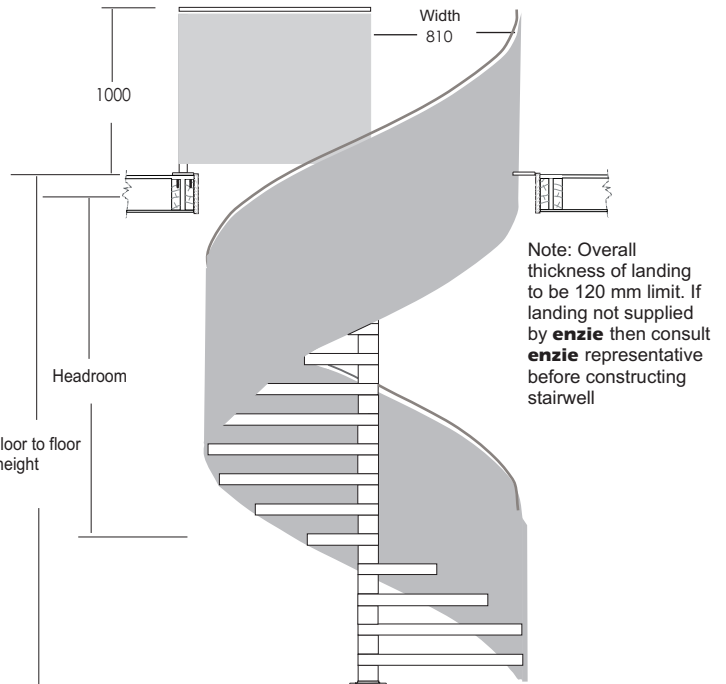
Procedure for building approval is to include a copy of this Data Sheet and Accreditation Certificate for the system with drawings showing location of proposed installation (with your required documentation) to the local building authority for their approval. Computations available on request for submission to Building Authority.

PACKED WEIGHT

Approximately 22 kg per riser.



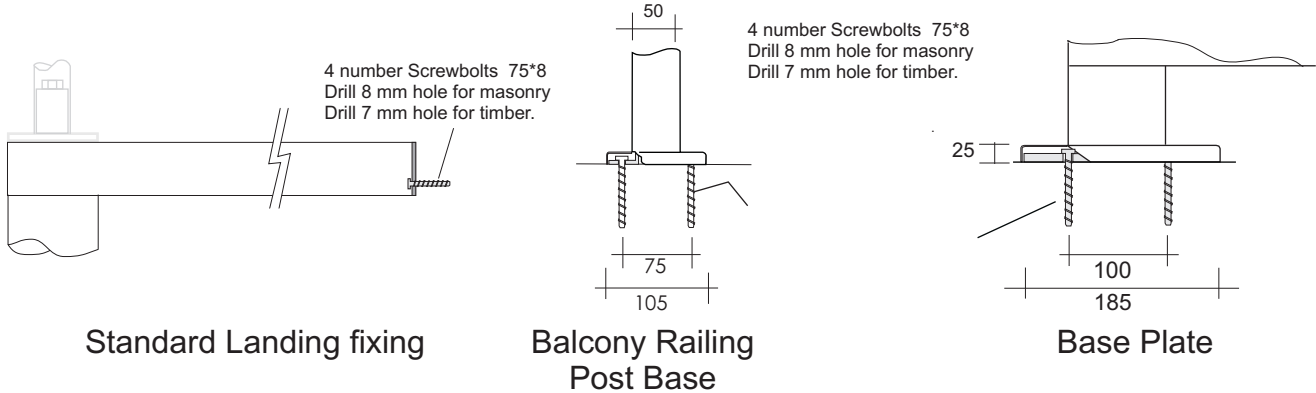
Standard stairwell and Balcony rails



Measurement line for slope relationship is between 590 and 680 measured at 7/10 of the unobstructed stair width

DATA SHEET enzie UNI ENCLOSE 1880/16 SPIRAL STAIR

FIXING DETAILS

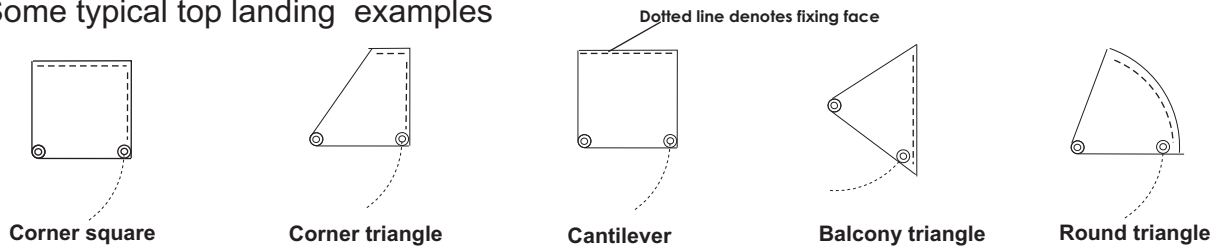


SETTING OUT EXAMPLES

1880 Diameter 178 mm to 190 mm Riser 16 Treads to circle at 22.5 Degrees

Floor to Floor Height (up to)	2280	2470	2660	2850	3040	3230	3420	3610	3800	3990	4180
Number of risers	12	13	14	15	16	17	18	19	20	21	22
Number of treads	11	12	13	14	15	16	17	18	19	20	21
Going	247	270	292	315	337	360	382	405	427	450	472
16 Treads to circle at 22.5 Degrees											

Some typical top landing examples



PHOTOS



DATA SHEET enzie UNI ENCLOSE 1880/16 SPIRAL STAIR



enzie Space Saving Stairs Pty. Ltd.
 287 Arthur Street
 Fairfield, Victoria
 Australia, 3078
 Ph. +61 3 9481 2255
 Fax +61 3 9481 8919
 ACN: 126 708 118
 www.enzie.com.au

**STANDARD SPECIFICATIONS
 CONSTRUCTION**

The stair is spiral with treads which are made from 65 mm x 5 mm Mild Steel frame with a 3 mm Mild Steel tread. Column is 4.9 mm thick by 101.2 mm diameter mild steel. The handrail is tubular 19 mm OD by 1.6 mm mild steel and balustrade is 3mm curved Aluminium. The stair structure is mechanically jointed on site, requiring no site welding or finishing. Excluding the Balustrade maximum length of any component is slightly more than one meter, and weight is less than 20 kg. The balustrade panels can be up to 2700 mm in lengths. The stair can be made in a clockwise or an anticlockwise direction. The stair baseplate fits on top of the floor surface before or after floor coverings. The pre-finished stair, when erected, is complete; no further finishing is required by others; no unsightly welds, nuts or bolts are showing.

SURFACE TREATMENT

Internal stairs are supplied pre-finished in a high quality baked polyester powder coating. A range of 21 decorator colours is offered for customer selection with custom colours also available. The handrail, in addition to finishes above, is available in stainless steel and the balustrade is available in Anodised Aluminium. External stairs are supplied Hot Dip galvanized and can be primed with zinc rich epoxy before being finished in baked polyester powder-coating.

INSTALLATION

Mechanical jointing and factory pre-finishing of the stair allows installation after all other trades, including floor coverings, have been completed in the stairwell and adjoining area. Installation can be carried out by a local contractor or handyman to installation instructions supplied with stair kit. The stair kit includes all nuts, bolts, installation accessories and an installation instructional DVD.

SAFETY

The stair complies with the BCA. The synthetic rubber anti-skid pad, applied to the top of stair treads ensures safe access. The curved Aluminium Balustrade provides a safe barrier around the staircase and across the balcony edge.

**DETAILS OF enzie 2000mm DIAMETER SPIRAL STAIR
 GEOMETRY OF STAIRS**

Stair is made with risers between 178 and 190 mm 16 steps to circle at 22.5 degrees. The going measured at 7/10 ths. of the clear width is 263mm and slope relationship is between 590 to 680

TREADS AND RISES

Treads are uniform shape and size. Risers are of uniform height between 178 mm and 190 mm as required by client's application. Anti-skid pad for each tread is supplied. This pad is replaceable if wear should occur.

HEAD ROOM

Using standard 90 degree landing 120 mm thick with 180 mm riser clear headroom is 2030 mm. Every 1 mm added to riser adds 12 mm to headroom.

HANDRAIL

Continuous and uninterrupted handrail is provided on one side and is at a vertical height of 866 mm minimum above the nosing of the tread. Balcony railing is 1000 mm above the floor.

WIDTH

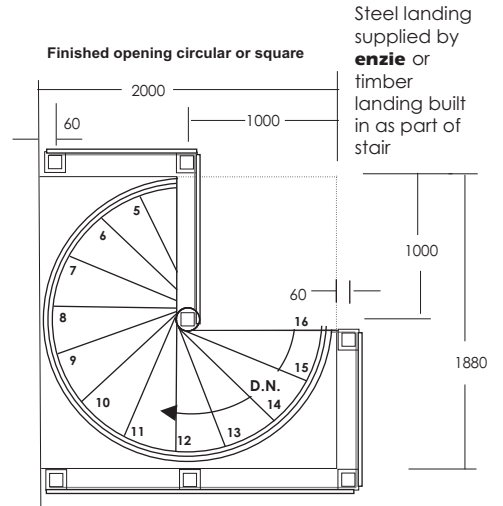
The width of stair free of obstruction is 874mm

BUILDING APPROVALS

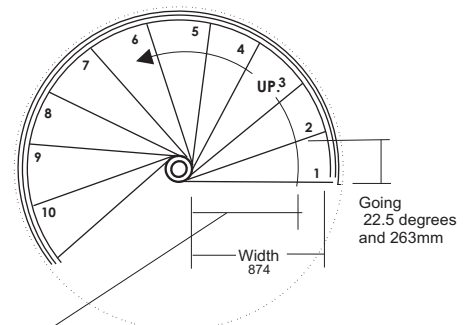
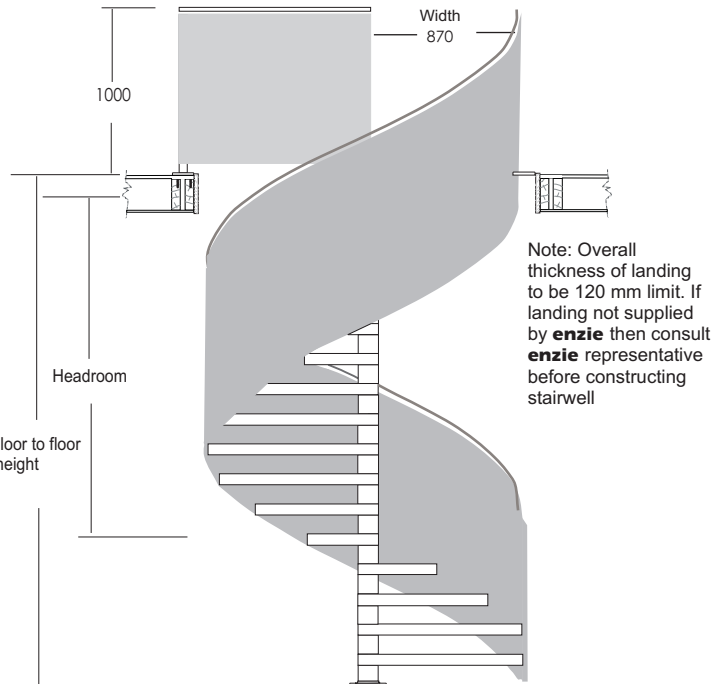
Procedure for building approval is to include a copy of this Data Sheet and Accreditation Certificate for the system with drawings showing location of proposed installation (with your required documentation) to the local building authority for their approval. Computations available on request for submission to Building Authority.

PACKED WEIGHT

Approximately 22 kg per riser.



Standard stairwell and Balcony rails

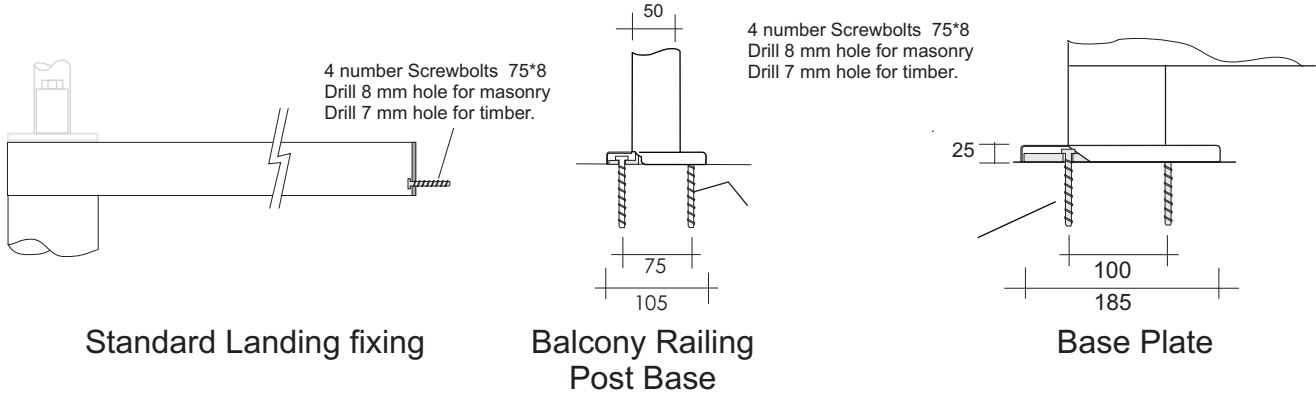


Measurement line for slope relationship is between 590 and 680 measured at 7/10 of the unobstructed stair width

DATA SHEET enzie UNI ENCLOSE 2000/16 SPIRAL STAIR



FIXING DETAILS

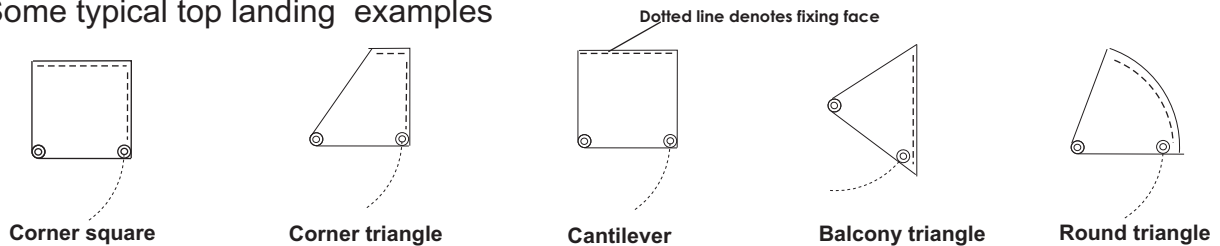


SETTING OUT EXAMPLES

1880 Diameter 178 mm to 190 mm Riser 16 Treads to circle at 22.5 Degrees

Floor to Floor Height (up to)	2280	2470	2660	2850	3040	3230	3420	3610	3800	3990	4180
Number of risers	12	13	14	15	16	17	18	19	20	21	22
Number of treads	11	12	13	14	15	16	17	18	19	20	21
Going	247	270	292	315	337	360	382	405	427	450	472
16 Treads to circle at 22.5 Degrees											

Some typical top landing examples



PHOTOS



DATA SHEET **enzie** UNI ENCLOSE 2000/16 SPIRAL STAIR